



### High-frequency transformer

### EE42 Series

#### Parameters/Dimensions:

##### EE42 Type 1

Information:

Shape:EE42

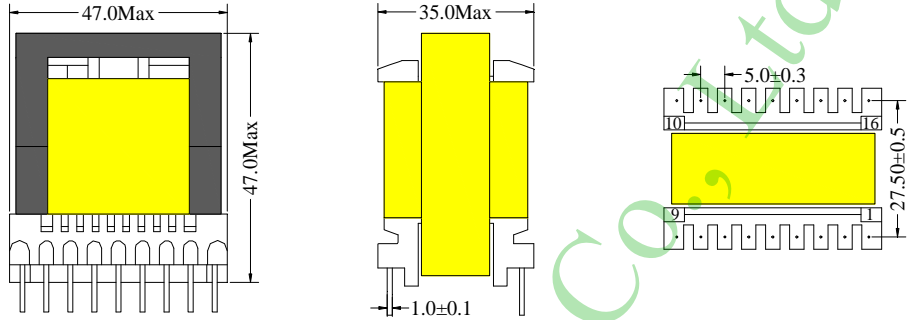
1 Power:265~350W

2 Mounting Orientation: Vertical

3 Size: 47 (W) \*35 (L) \* 47 (H)

4 Effective Ae (mm2):

178.0~235.0



##### EE42 Type 2

Information:

Shape:EE42

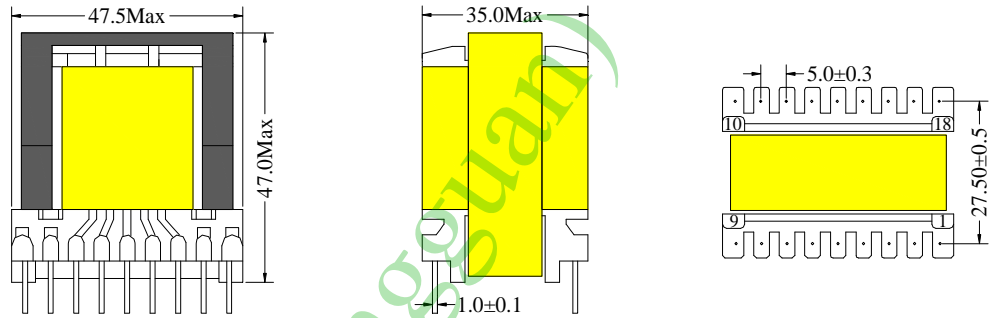
1 Power:265~350W

2 Mounting Orientation: Vertical

3 Size: 47 (W) \*35 (L) \* 47 (H)

4 Effective Ae (mm2):

178.0~235.0



##### EE42 Type 3

Information:

Shape:EE42

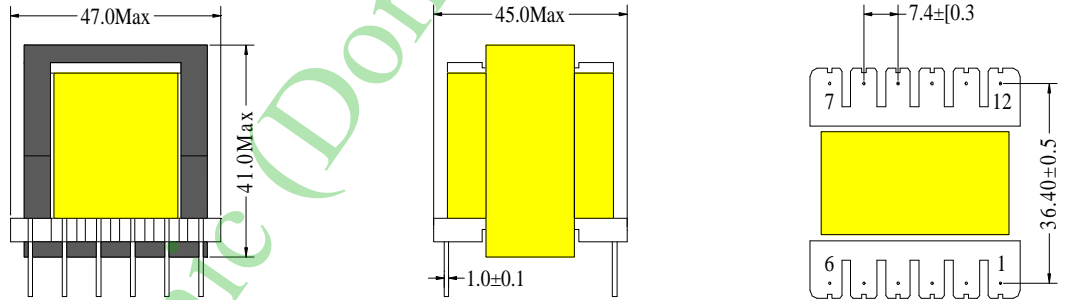
1 Power:265~350W

2 Mounting Orientation: Vertical

3 Size: 47 (W) \*45 (L) \* 41 (H)

4 Effective Ae (mm2):

178.0~235.0



##### EE42 Type 4

Information:

Shape:EE42

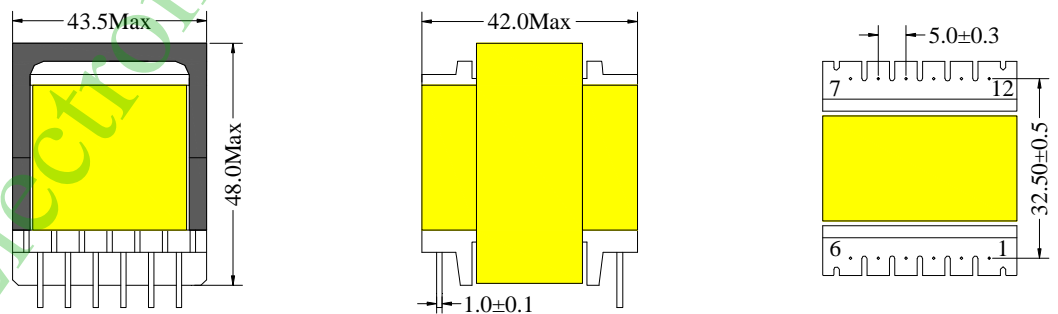
1 Power:265~350W

2 Mounting Orientation: Vertical

3 Size: 43.5 (W) \*42 (L) \* 48(H)

4 Effective Ae (mm2):

178.0~235.0



##### EE42 Type 5

Information:

Shape:EE42

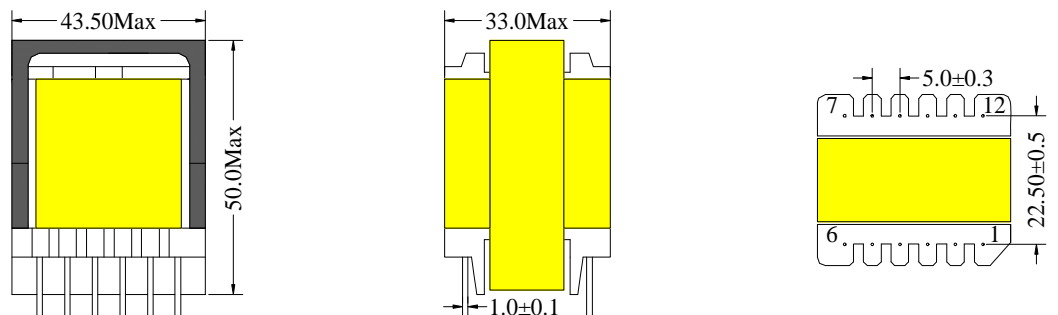
1 Power:265~350W

2 Mounting Orientation: Vertical

3 Size: 43.5 (W) \* 33 (L) \* 50 (H)

4 Effective Ae (mm2):

178.0~235.0





### High-frequency transformer

### EE42 Series

#### Parameters/Dimensions:

##### EE42 Type 6

Information:

Shape:EE42

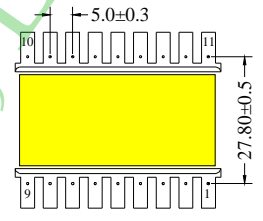
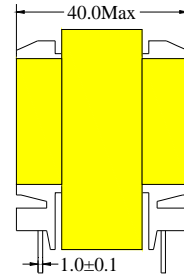
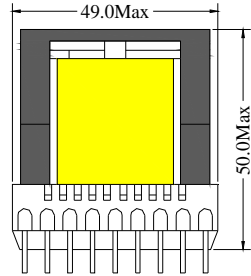
1 Power:265~350W

2 Mounting Orientation: Vertical

3 Size: 49 (W) \* 40 (L) \* 50 (H)

4 Effective Ae (mm<sup>2</sup>):

178.0~235.0



##### EE42 Type 7

Information:

Shape:EE42

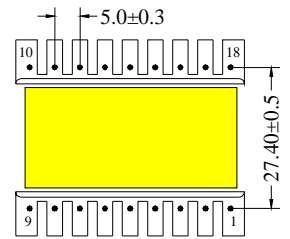
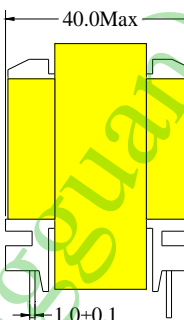
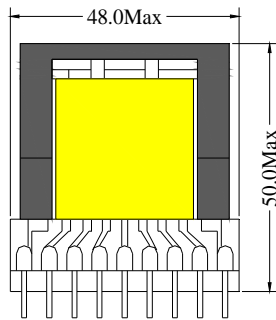
1 Power:265~350W

2 Mounting Orientation: Vertical

3 Size: 15 (W) \* 14 (L) \* 14 (H)

4 Effective Ae (mm<sup>2</sup>):

178.0~235.0



##### EE42 Type 8

Information:

Shape:EE42

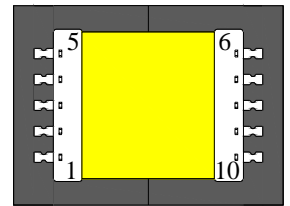
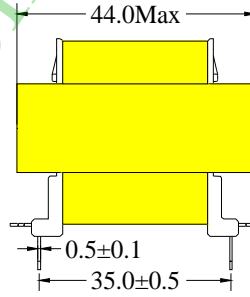
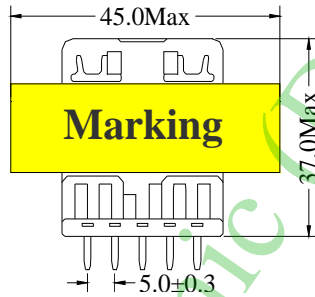
1 Power:265~350W

2 Mounting Orientation:Horizontal

3 Size: 45 (W) \* 44 (L) \* 37 (H)

4 Effective Ae (mm<sup>2</sup>):

178.0~235.0



##### EE42 Type 9

Information:

Shape:EE42

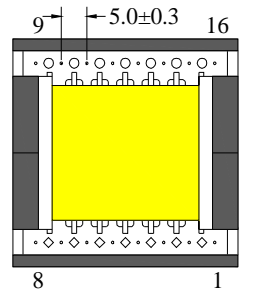
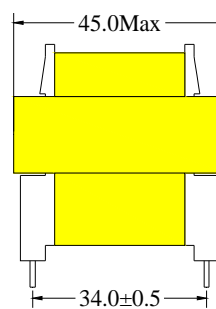
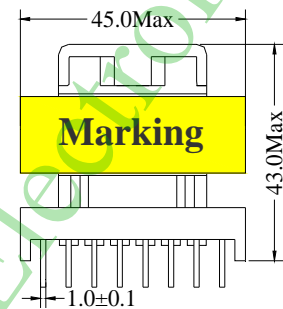
1 Power:265~350W

2 Mounting Orientation:Horizontal

3 Size: 45 (W) \* 45 (L) \* 43 (H)

4 Effective Ae (mm<sup>2</sup>):

178.0~235.0



##### EE42 Type 10

Information:

Shape:EE42

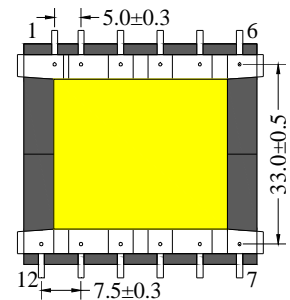
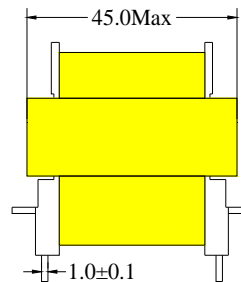
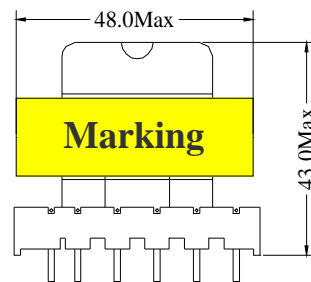
1 Power:265~350W

2 Mounting Orientation:Horizontal

3 Size: 48 (W) \* 45 (L) \* 43 (H)

4 Effective Ae (mm<sup>2</sup>):

178.0~235.0





### High-frequency transformer

### EE42 Series

#### Parameters/Dimensions:

##### EE42 Type 11

Information:

Shape:EE42

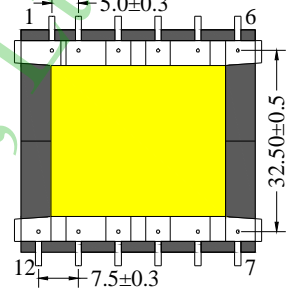
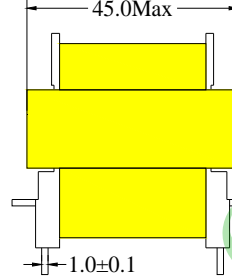
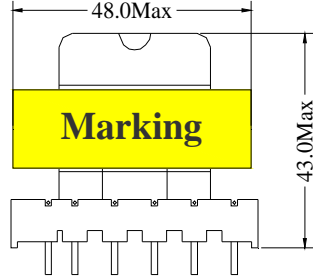
1 Power:265~350W

2 Mounting Orientation:Horizonta

3 Size: 48 (W) \* 45 (L) \* 43 (H)

4 Effective Ae (mm2):

178.0~235.0



##### EE42 Type 12

Information:

Shape:EE42

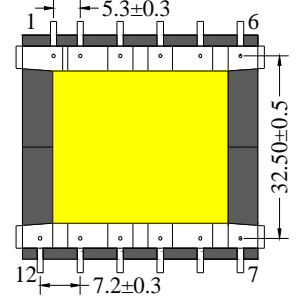
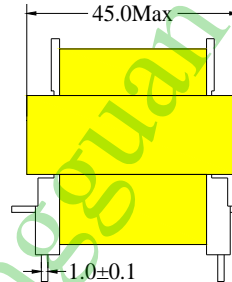
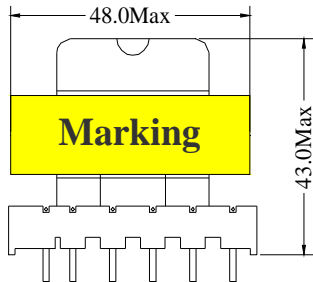
1 Power:265~350W

2 Mounting Orientation:Horizonta

3 Size: 48 (W) \* 45 (L) \* 43 (H)

4 Effective Ae (mm2):

178.0~235.0



##### EE42 Type 13

Information:

Shape:EE42

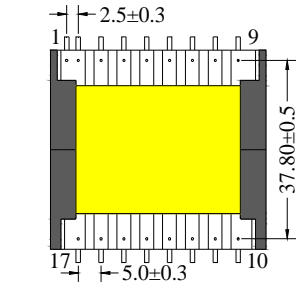
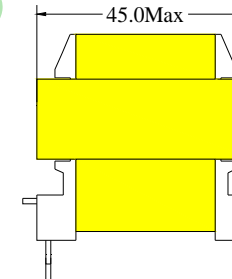
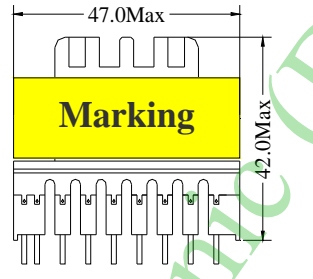
1 Power:265~350W

2 Mounting Orientation:Horizonta

3 Size: 47 (W) \* 45 (L) \* 42 (H)

4 Effective Ae (mm2):

178.0~235.0



##### EE42 Type 14

Information:

Shape:EE42

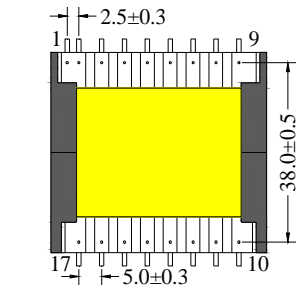
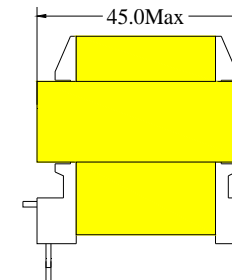
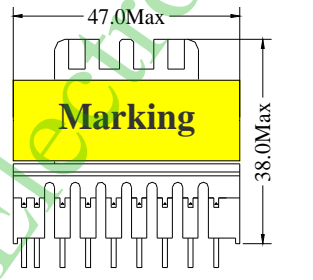
1 Power:265~350W

2 Mounting Orientation:Horizonta

3 Size: 47 (W) \* 45 (L) \* 38 (H)

4 Effective Ae (mm2):

178.0~235.0



##### EE42 Type 15

Information:

Shape:EE42

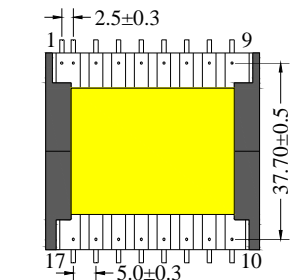
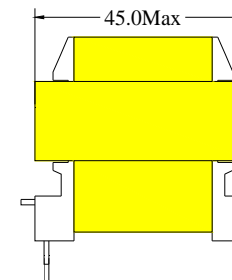
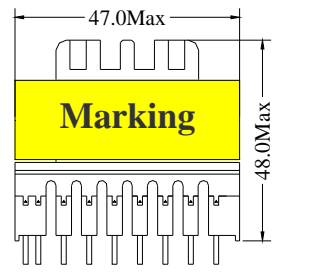
1 Power:265~350W

2 Mounting Orientation:Horizonta

3 Size: 47 (W) \* 45 (L) \* 48 (H)

4 Effective Ae (mm2):

178.0~235.0



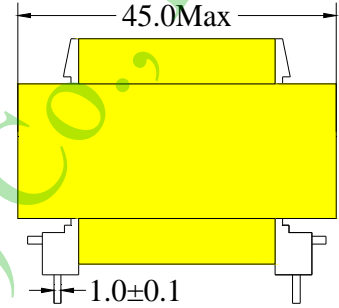
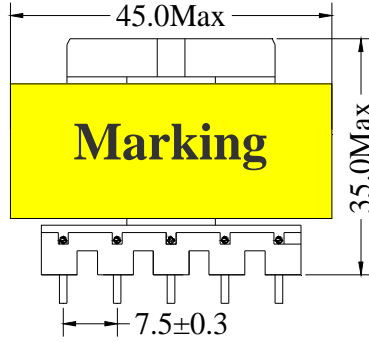


### High-frequency transformer

#### EE42 Series

#### Parameters/Dimensions:

EE42 Type 16



#### Information:

Shape:EE42

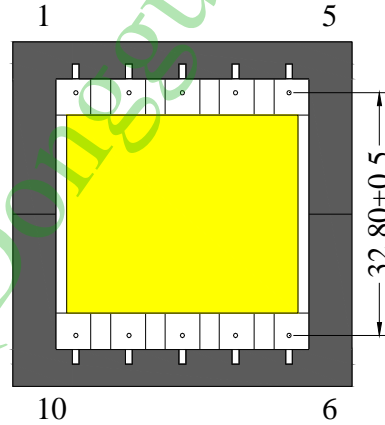
1 Power:265~350W

2 Mounting Orientation:Horizonta

3 Size: 45 (W) \* 45 (L) \* 35 (H)

4 Effective Ae (mm2):

178.0~235.0



#### Note:

Bobbin type listed in the traditional style, transformer design parameters to customer needs or to inject prevail.

#### EE series high-frequency transformer features:

Lead space, easy winding wire. Applicable to a wide range of high frequency, wide operating voltage range, output power, good thermal stability

#### Uses:

Program-controlled switches are widely used in power supplies, LCD power supply, UPS power inverter power supply, computer power, energy-saving lamps and other fields.